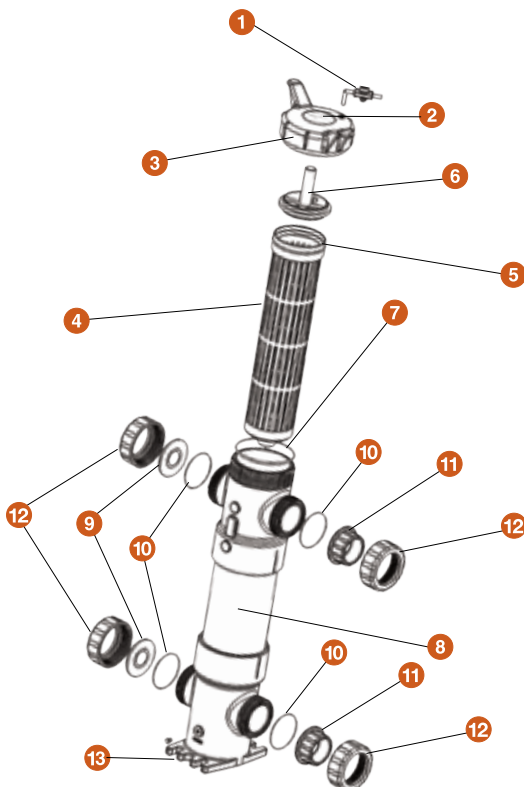




### EXPLODED VIEW



## FLV Series PVC & CPVC Bag Filters

SINGLE LENGTH – 16"

1-1/4" TO 2" PIPE SIZES

### KEY FEATURES

- Available in PVC or CPVC Materials
- True Union End Connections - Socket, Threaded or Flanged
- Hand Removable, Ergonomic Cover with Liquid Displacing Dome
- Vent Valve Included on Cover
- Rated up to 100 GPM Flow Rates
- In-Line or Loop Flow Configurations
- Solid 1-Piece Basket
- Drain Port at Bottom
- Integral Mounting Base

### OPTIONS

- Pressure Gauge with Gauge Guard
- Pressure Differential Gauge and Switch
- EPDM Seals
- Duplex Configurations

### MATERIALS

- PVC Cell Class 12454 per ASTM D1784
- CPVC Cell Class 23447 per ASTM D1784
- FPM and EPDM O-Ring Seals

## TECHNICAL INFORMATION

### SELECTION CHART

SIZE	MATERIAL	END CONNECTIONS	PIPING SIZES	SEALS	FLOW RATE	PRESSURE RATING
Single Length 7" x 16"	PVC or CPVC	Socket, Threaded or Flanged	1-1/4" - 2" (DN32 - DN50)	FPM or EPDM	100 GPM	150 PSI @ 70°F 10 Bar @ 21°C Non-Shock

\* PVC and CPVC socket ends available to ISO 727-1 and threaded ends to BS21. Flanged ends available in DIN/EN PN10.

"Patented" Pat. No.: 9,630,127

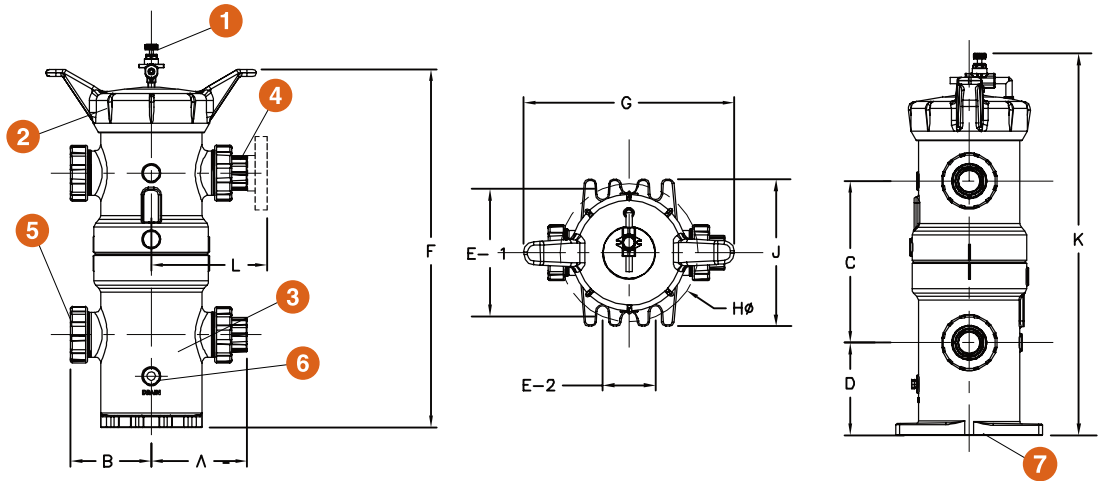
# FLV Series PVC & CPVC Bag Filters

SINGLE LENGTH – 16" 1-1/4" TO 2" PIPE SIZES

## TECHNICAL INFORMATION, CONTINUED

### PARTS LIST

1. Vent Valve (Included)
2. Cover
3. Filter Body
4. End Connectors
5. Assembly Nut
6. Drain Port & Plug with O-Ring
7. Integrally Molded Mounting Pad



### DIMENSIONS – INCHES / MILLIMETERS

FILTER SIZE in / DN	A in / mm	B in / mm	C in / mm	D in / mm	E1 in / mm	E2 in / mm	F in / mm	G in / mm	H Ø B / C in / mm	K in / mm	L in / mm
1-1/4"	8.16 / 207	6.88 / 175	13.75 / 349	7.87 / 200	10.86 / 276	4.50 / 114	30.50 / 775	17.90 / 455	11.75 / 298	32.0 / 813	9.58 / 243
1-1/2"	8.07 / 205	6.88 / 175	13.75 / 349	7.87 / 200	10.86 / 276	4.50 / 114	30.50 / 775	17.90 / 455	11.75 / 298	32.0 / 813	9.66 / 245
2"	8.16 / 207	6.88 / 175	13.75 / 349	7.87 / 200	10.86 / 276	4.50 / 114	30.50 / 775	17.90 / 455	11.75 / 298	32.0 / 813	9.90 / 251

Dimensions are subject to change without notice – consult factory for installation information.

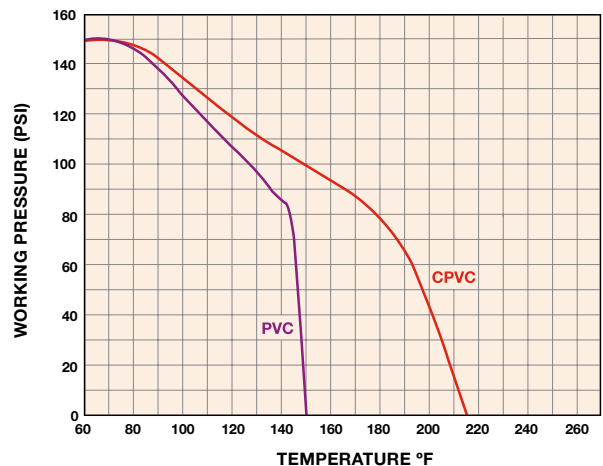
\* Clearance from top for basket removal

### SPECIFICATIONS

- Material of Construction:** PVC or CPVC
- Inlet Connections:** PVC (Socket, Threaded or Flanged)  
CPVC (Socket, Threaded or Flanged)
- Outlet Connections:** PVC (Socket, Threaded or Flanged)  
CPVC (Socket, Threaded or Flanged)
- Bag Size:** Bag Size #1: 7" x 16"
- Pressure Rating:** 150 PSI at 70°F Non-Shock
- O-Ring Seals:** FPM or EPDM
- Bag Ratings:** 1, 5, 10, 25, 50, 100, 150, 200, 400, 600 and 800 Microns
- Flow Rate:** 100 GPM (May be Limited by Pipe Size or Bag Choice)
- Weight:** 50 lbs.

Hayward recommends that you monitor your pressure differential with a differential gauge or pressure gauges

### OPERATING TEMPERATURE/PRESSURE



 Hayward is a registered trademark of Hayward Industries, Inc.  
© 2018 Hayward Industries, Inc.

**USA:** 1.888.429.4635 • Fax: 1.888.778.8410 • One Hayward Industrial Drive • Clemmons, NC 27012 • Email: hfcsales@hayward.com  
**Canada:** 1.888.238.7665 • Fax: 1.905.829.3636 • 2880 Plymouth Drive • Oakville, ON L6H 5R4 • Email: hfcanada@hayward.com  
 Visit us at: haywardflowcontrol.com