

YS Series Y-Strainers

1/2", 3/4" AND 1" PVDF

KEY FEATURES

- PVDF 1-pc Construction
- NPT or BSP Threaded Ends
- Socket Fusion Ends for IPS Schedule 40 / 80, or for SDR21 / 33 Piping
- Horizontal or Vertical Installation
- FPM O-Ring Seals
- Hex Cap for Easy Access to Screen
- Standard Screen has 3/32" Perforation

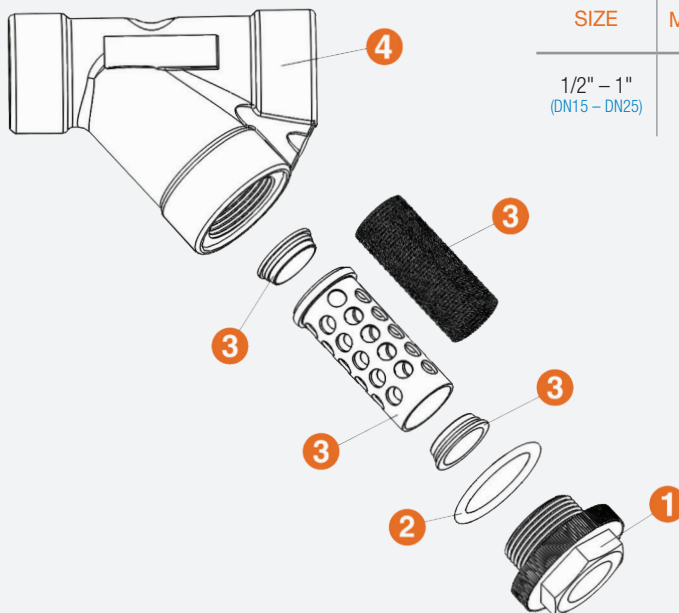
MATERIALS

- Natural PVDF per ASTM D3222 Type 1
- FPM O-Ring Seals



TECHNICAL INFORMATION

EXPLODED VIEW



SELECTION CHART

SIZE	MATERIAL	END CONNECTION	SEALS	PRESSURE RATING
1/2" – 1" (DN15 – DN25)	PVDF	Socket Fusion or Threaded	FPM	150 PSI @ 70°F Non-Shock

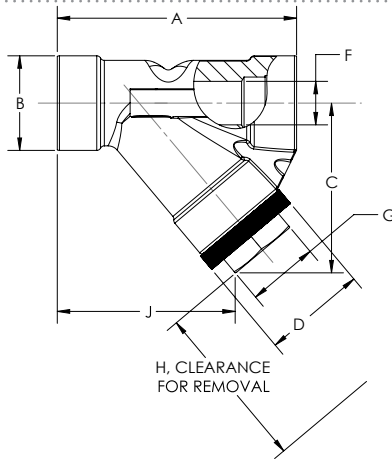
YS Series Y-Strainers

1/2", 3/4" AND 1" PVDF

TECHNICAL INFORMATION, CONTINUED

PARTS LIST

1. Cap
2. O-Ring Seal
3. Cartridge
4. Body



SCREEN OPTIONS

PERFORATION SIZES	BASKET MATERIAL
1/16"	PTFE / PVDF
3/32"	

DIMENSIONS

SIZE in / DN	A in / mm	B in / mm	C in / mm	D in / mm	F in / mm	G in / mm	H in / mm	J in / mm	WEIGHT lbs / kg SOC / THD
1/2 / 15	3.30 / 84	1.50 / 38	2.30 / 58	1.40 / 36	0.50 / 13	1.00 / 25	2.20 / 56	2.80 / 71	0.33 / 0.15
3/4 / 20	4.1 / 104	1.90 / 48	3.00 / 76	1.90 / 49	0.75 / 19	1.25 / 32	2.70 / 69	3.20 / 81	0.82 / 0.37
1 / 25	5.0 / 127	2.00 / 51	3.60 / 91	2.10 / 53	1.00 / 25	1.50 / 38	3.50 / 89	3.90 / 99	1.14 / 0.52

Dimensions are subject to change without notice – consult factory for installation information

Cv VALUES*

SIZE in / DN	Cv VALUES
1/2 / 15	4.0
3/4 / 20	6.8
1 / 25	9.0

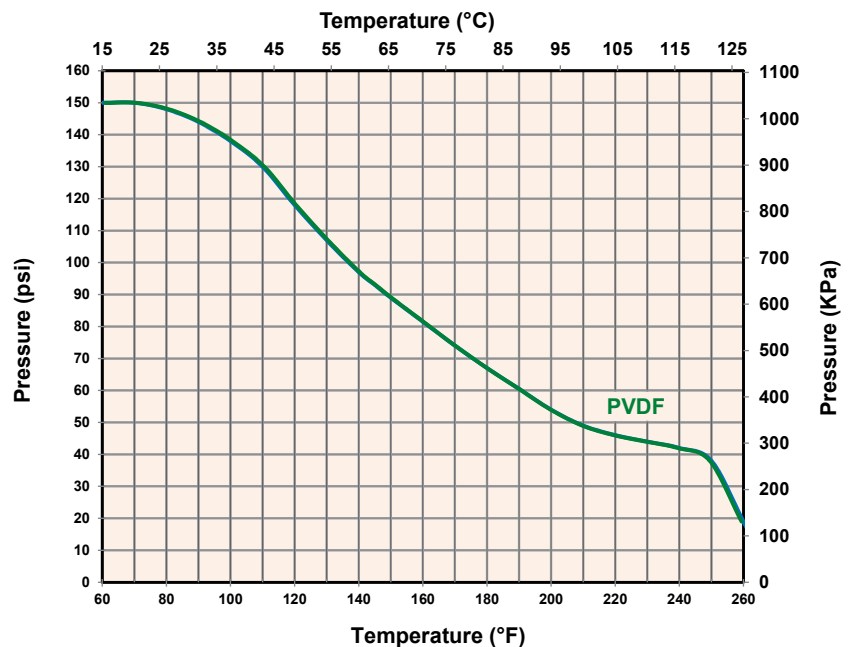
* With standard 3/32" perforation.

PRESSURE LOSS CALCULATION FORMULA

$$\Delta P = \left[\frac{Q}{C_v} \right]^2$$

ΔP = Pressure Drop
 Q = Flow in GPM
 C_v = Flow Coefficient

OPERATING TEMPERATURE/PRESSURE



 Hayward is a registered trademark of Hayward Industries, Inc. © 2020 Hayward Industries, Inc.

USA: 1.888.429.4635 • Fax: 1.888.778.8410 • One Hayward Industrial Drive • Clemmons, NC 27012 • Email: hfcsales@hayward.com
Canada: 1.888.238.7665 • Fax: 1.905.829.3636 • 2880 Plymouth Drive • Oakville, ON L6H 5R4 • Email: hflowcanada@hayward.com
 Visit us at: haywardflowcontrol.com